



SPRA-RITE™ Zero-Drip Die-Mount Nozzle Assembly

Reduced Setup Time. Precise Application

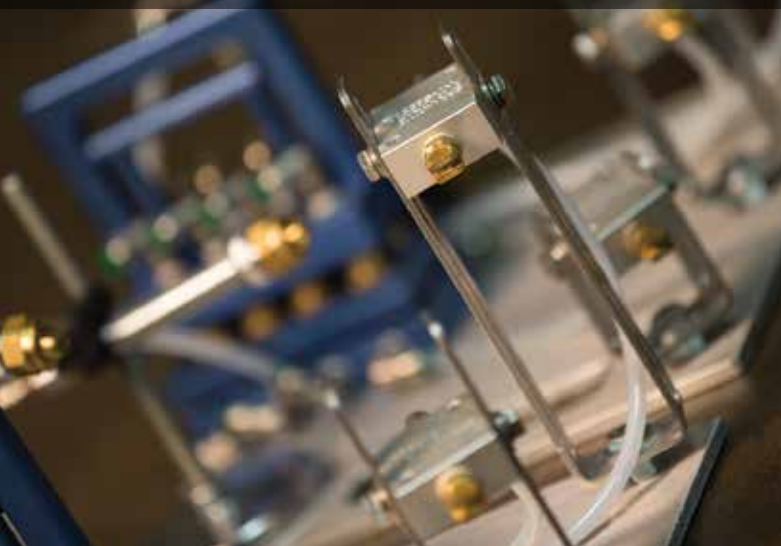
Our patented zero-drip, die-mount nozzles enable quick setup while effectively applying lubricants to specific areas of the stamping or drawing tooling and/or the stock. These nozzles incorporate low pressure with high velocity to produce the most effective means for the controlled application of lubricants, helping to eliminate costly waste.

The simple u-channel frame makes placement and setup simple and easy. And once setup, these nozzles maintain their position to consistently deliver the precise amount of fluid to meet your needs.

See back for complete ordering information.



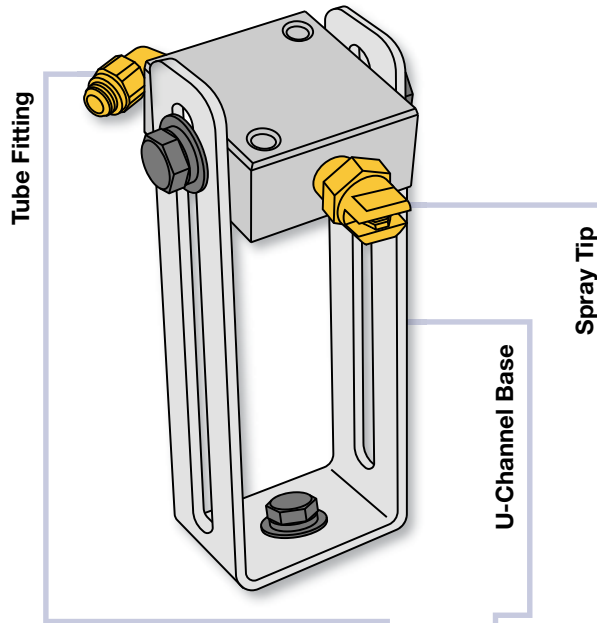
Our die-mount nozzles and quick-disconnect are the perfect combination for almost any quick die change solution.



SPRA-RITE Die Mount Nozzle Assembly Features

- 99.5% drip-free
- No strainers, springs or ball checks
- Patented technology
- Choice of volume and spray angles
- Styles for application of thick, emulsified lubricants
- Precise application control
- Lightweight construction
- Universally adjustable
- Cuts down on die setup time and cost
- Easily mounts to die

Die Nozzle Ordering Information



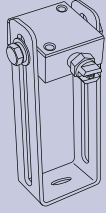
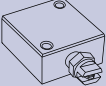
Individual spray tips can be ordered by simply requesting the angle and volume as a single string; ie. 01565

Flow rates are listed at 40-PSI.

Die-Mount Model

DM - 1 - L-1/8 - 4 - 65015

Highlighted items below indicate their use in this example order string.

Body Configurations	Low or High Volume Fittings	U-Channel Heights	Spray Tip Angles
1 Die Mount Base  Fully adjustable mount with die-mount base	L1/8 Low 1/8" NPT	2 2-Inches Tall	25 25-Degrees
	L5/32 Low 5/32" NPT	4 4-Inches Tall	40 40-Degrees
	H3/16 High 3/16" NPT	6 6-Inches Tall	65 65-Degrees
	H1/4 High 1/4" NPT		80 80-Degrees
0 No Base  Body and nozzle assy.			110 110-Degrees
			Spray Tip Volumes
			01 0.1-GPM
			015 0.15-GPM
			02 0.2-GPM
			03 0.3-GPM
			04 0.4-GPM

Other Systems Offered

PRO-MIX™
Proportional Mixing

SPRA-RITE™
Fluid Application

Reclaim-PRO™
Fluid Purification